

Single-Ended Bending Beam

FEATURES

- Standard capacity: 6150 kg
 - Other capacities are available upon request
- Coated alloy steel construction
- EDOC (Electrodeposited organic coating)

APPLICATIONS

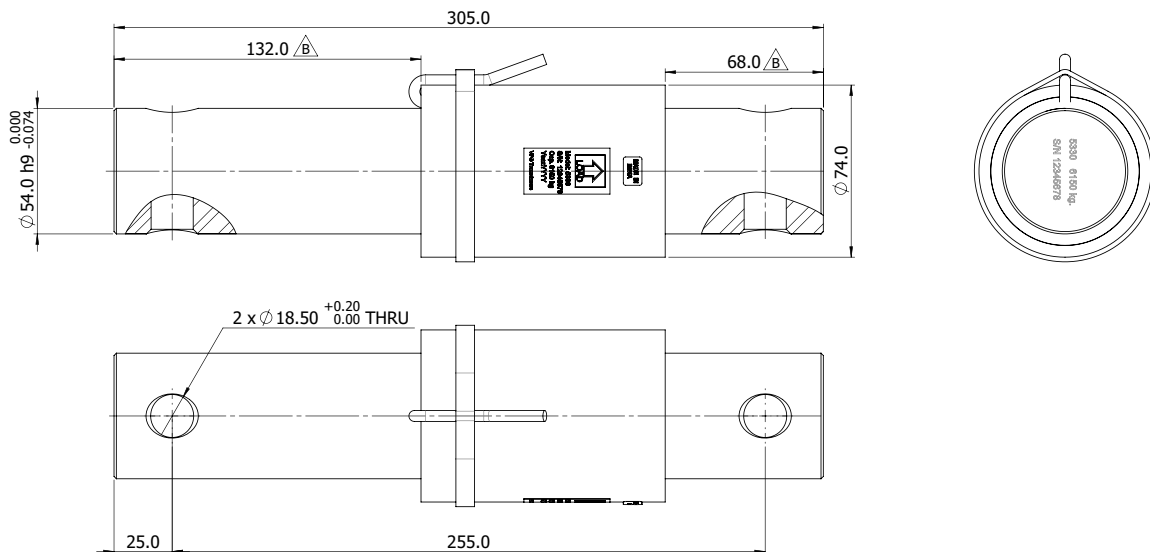
- Feed and stationary mixers
- Manure spreaders
- Harvest trailer
- Bins, tanks and grain carts
- TMR mixers and feedlot spreaders



DESCRIPTION

The Model 5330 Agribar™ is a heavy-duty, single-ended bending beam load cell, specifically designed for use in the agricultural industry. The beam is constructed from alloy steel with an electrodeposited organic coating, resulting in superior resistance against corrosion and abrasion. This load cell is highly durable and delivers an impressive temperature tolerance and maximum weight capacity. It is best suited for installation into large agricultural machinery, where it can be used to measure and control dispensing and accumulation of commodity, and more.

OUTLINE DIMENSIONS in millimeters (dimensions may vary for other capacities)



Single-Ended Bending Beam

SPECIFICATIONS		
PARAMETER	VALUE	UNIT
Rated capacity—R.C. (E_{max})		
Static	6150*	kg
Dynamic	(4100)	
Rated output—R.O.		
Static	1.45±0.007	mV/V
Dynamic	(0.966)	
Zero balance	±0.0100	mV/V
Sensor error	±0.10	% of R.O.
Creep (30 min.)	±0.08	% of load
Zero return (30 min.)	±0.08	% of load
Temperature effect on zero	±0.010	% of R.O./°C
Temperature effect on output	±0.010	% of load/°C
Temperature range, compensated	0 to +50	°C
Temperature range, service	-20 to +60	°C
Temperature range, storage	-30 to +70	°C
Maximum safe static overload	9225	kg
Ultimate static overload	15375	kg
Excitation, recommended	10	VDC
Excitation, range	5–15	VDC
Input impedance	349–450	Ω
Output impedance	349–356	Ω
Insulation resistance	>2000	MΩ @ 50 VDC
Cable length	6.5	m
Cable type	4 conductor, 24 AWG, polyurethane jacket, floating shield	
Color code (4 conductors)	+exc – red, +sig – grn, –exc – blk, –sig – wht	
Construction	Coated alloy steel	
Compensation circuit type	Unbalanced on +Exc terminal	
Environmental protection	IP67/IP69K	

* Other capacities are available upon request.

All specifications are subject to change without notice.

Disclaimer

ALL PRODUCTS, PRODUCT SPECIFICATIONS AND DATA ARE SUBJECT TO CHANGE WITHOUT NOTICE.

Vishay Precision Group, Inc., its affiliates, agents, and employees, and all persons acting on its or their behalf (collectively, "VPG"), disclaim any and all liability for any errors, inaccuracies or incompleteness contained herein or in any other disclosure relating to any product.

The product specifications do not expand or otherwise modify VPG's terms and conditions of purchase, including but not limited to, the warranty expressed therein.

VPG makes no warranty, representation or guarantee other than as set forth in the terms and conditions of purchase. **To the maximum extent permitted by applicable law, VPG disclaims (i) any and all liability arising out of the application or use of any product, (ii) any and all liability, including without limitation special, consequential or incidental damages, and (iii) any and all implied warranties, including warranties of fitness for particular purpose, non-infringement and merchantability.**

Information provided in datasheets and/or specifications may vary from actual results in different applications and performance may vary over time. Statements regarding the suitability of products for certain types of applications are based on VPG's knowledge of typical requirements that are often placed on VPG products. It is the customer's responsibility to validate that a particular product with the properties described in the product specification is suitable for use in a particular application. You should ensure you have the current version of the relevant information by contacting VPG prior to performing installation or use of the product, such as on our website at vpgsensors.com.

No license, express, implied, or otherwise, to any intellectual property rights is granted by this document, or by any conduct of VPG.

The products shown herein are not designed for use in life-saving or life-sustaining applications unless otherwise expressly indicated. Customers using or selling VPG products not expressly indicated for use in such applications do so entirely at their own risk and agree to fully indemnify VPG for any damages arising or resulting from such use or sale. Please contact authorized VPG personnel to obtain written terms and conditions regarding products designed for such applications.

Product names and markings noted herein may be trademarks of their respective owners.

Copyright Vishay Precision Group, Inc., 2014. All rights reserved.